

## ➤➤ Insertable entrance aid EH FSS, insertable pivoted type EH FSSD



The figure shown here may contain special accessories

Entrance aid in accordance with DIN 19572.

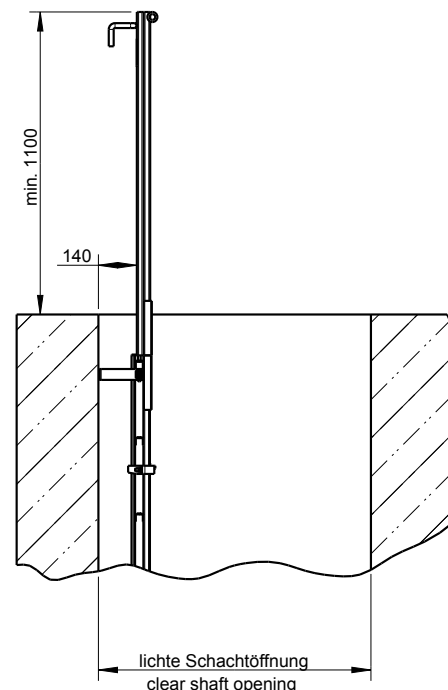
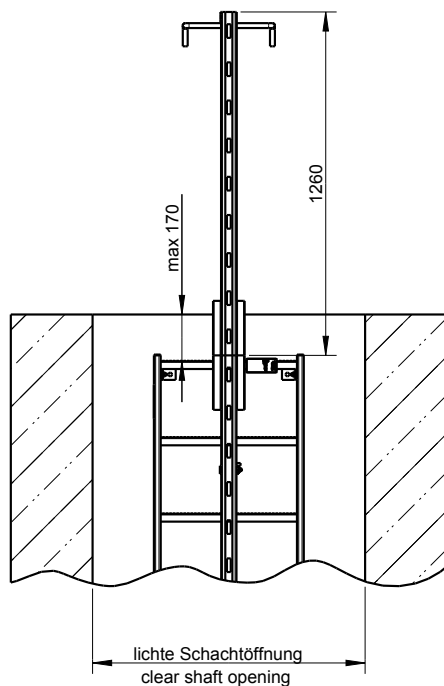
Access ladders must have a handhold at their exit. This requirement is deemed to be fulfilled if one or both handles of a ladder project at least 1,1 m beyond the exit height.

Completely shielded arc welded, acid-treated in a pickling bath and passivated.

### Options:

- 1.4404 (AISI 3016 L) stainless steel
- Pivoted design, type EH FSS D, for comfortable attachment of the safety belts

**Insertable entrance aid**, design certification in accordance with DIN 19572, made of 1.4307 (AISI 304 L) stainless steel, for safety access ladders with 400 mm or 500 mm width with guard rail and safety climbing devices.



## HUBER SE

Industriepark Erasbach A1 · D-92334 Berching  
Phone: + 49 - 84 62 - 201 - 0 · Fax: + 49 - 84 62 - 201 - 810  
info@huber.de · Internet: www.huber.de

Subject to technical modification  
Drawing no. 50934024, 5.2022

Insertable entrance aid EH FSS,  
insertable pivoted type EH FSSD