

## ➤ Collapsible hand post with double handle EH VSD



The figure shown here may contain special accessories

Access ladders must have a handhold at their exit. This requirement is deemed to be fulfilled if one or both handles of a ladder project at least 1.1 m beyond the exit height.

Ladder width = \_\_\_\_\_ mm,

Ladder length = \_\_\_\_\_ m

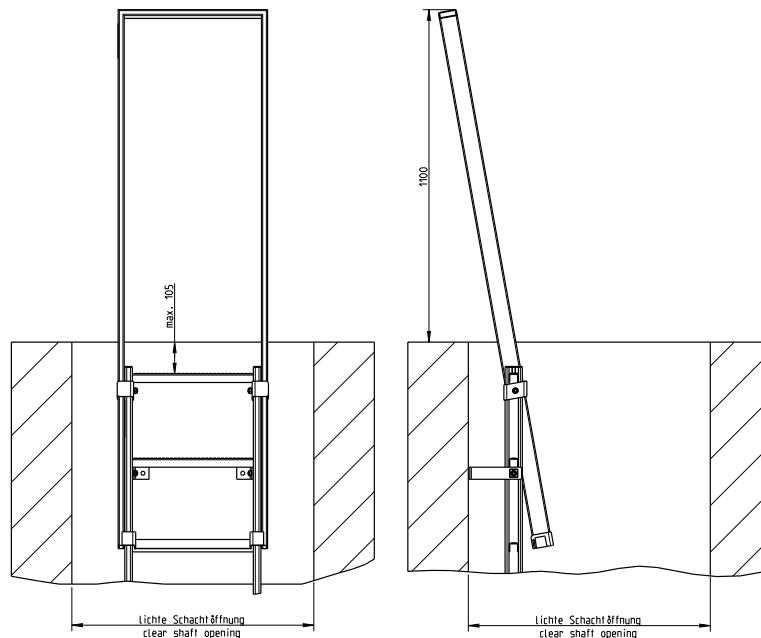
Completely shielded arc welded, acid-treated in a pickling bath and passivated.

### Options:

- 1.4404 (AISI 316 L) stainless steel

**Collapsible hand post** with double handle, with design certification in accordance with DIN 19572, made of 1.4307 (AISI 304 L) stainless steel, for safety access ladders with 300 mm, 400 mm, 500 mm width, for ladder lengths from 2010 mm. Overall length: 1800 mm.

Entrance aid in accordance with DIN 19572.



## HUBER SE

Industriepark Erasbach A1 · D-92334 Berching  
Phone: + 49 - 84 62 - 201 - 0 · Fax: + 49 - 84 62 - 201 - 810  
info@huber.de · Internet: www.huber.de

Subject to technical modification  
Drawing no. 190.148/5, 5.2022

Collapsible hand post with double handle EH VSD