

## ➤➤ Prefabricated manhole FGS 1



*The figure shown here may contain special accessories*

**Prefabricated manhole**, completely made of 1.4307 (AISI 304 L) stainless steel, watertight, with entrance and installation opening in accordance with DVGW Standard W 122. Robust casing, diameter: 1900/2500 mm, head room: 2000 mm, height of domes: 800 mm, total height: 3290/3400 mm, bottom made of tear pattern plate (slip resistance R 11 in accordance with DIN 51130) with inclination to the pump sump, for bolted fixing on a customer-provided concrete foundation, with the following stainless steel components:

- Manhole cover, round type, designed as an entrance opening, 800 mm diameter, with rubber seal, with air vent DN 150 (order no. 108/GDR)
- Manhole cover, round type, designed as an installation opening, 800 mm diameter, with rubber seal (order no. 108/GDR), or according to the well head size
- Safety access ladder, width 300 mm, vertical installation, length 2850/3130 mm
- Fold-back/extensible entrance aid
- Ventilating chimney DN 150, 200 mm, ending above manhole bottom
- FF-piece, DN \_\_\_\_\_, as a pipe duct, length 200 mm, welded in the casing, floor distance: 800 mm
- Cable duct, diameter: \_\_\_\_\_ mm, floor distance: 1000 mm

- Holders for control panel
- Pump sump, 300 mm diameter, welded to the bottom, covered by a perforated stainless steel plate, with handle
- Lifting eyes
- Fixing material

Completely shielded arc welded, acid-treated in a pickling bath and passivated, including all built-in components.

### **Options:**

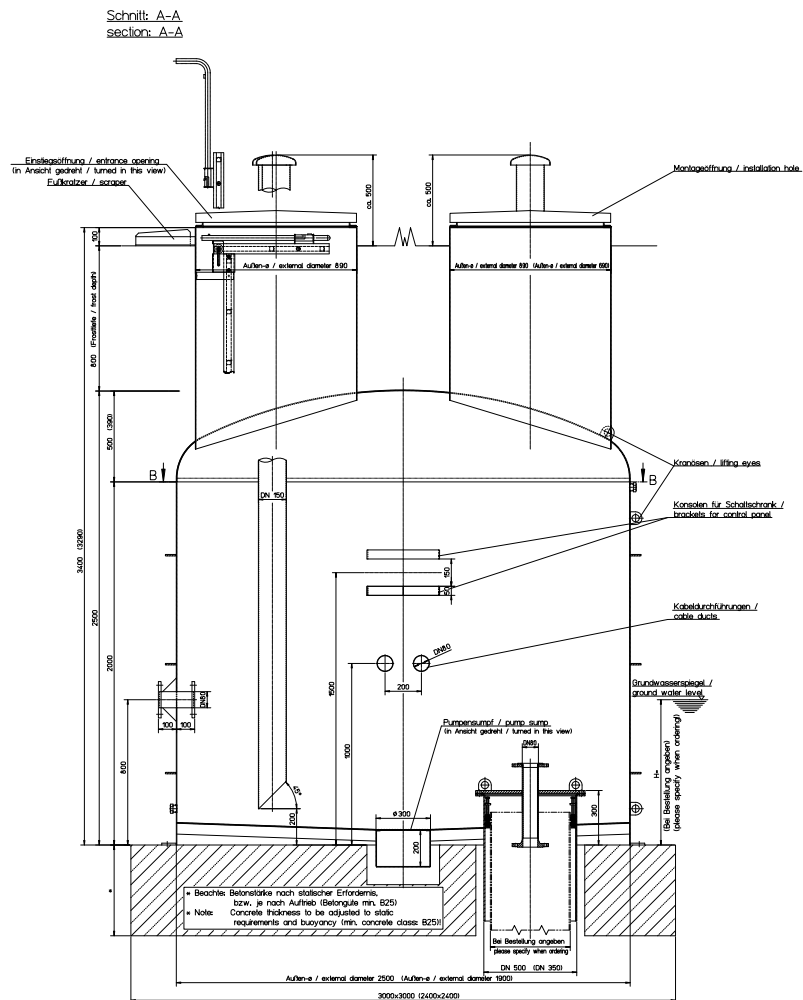
- Well head, DN \_\_\_\_\_, in accordance with technical data sheet BKF 1, welded to the manhole bottom
- Provided for optional ventilator
- 1.4404 (AISI 316 L) stainless steel

### **Fields of application:**

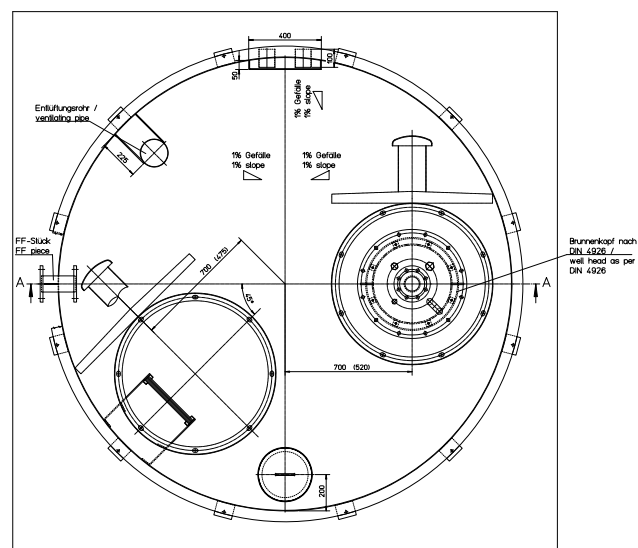
Prefabricated stainless steel manholes are watertight and frost-proof. They are applied in flood areas and areas with a high groundwater level. They are quickly installed, permanently corrosion resistant and maintenance-free.

### **Note:**

A concrete foundation is required for watertight prefabricated manholes installed below ground water level.



**Schnitt: B-B**  
section: B-B



**HUBER SE**

Industriepark Erasbach A1 · D-92334 Berching  
Phone: + 49 - 84 62 - 201 - 0 · Fax: + 49 - 84 62 - 201 - 810  
info@huber.de · Internet: www.huber.de

Subject to technical modification  
Drawing no. 190.156, 5.2022

Prefabricated manhole FGS 1