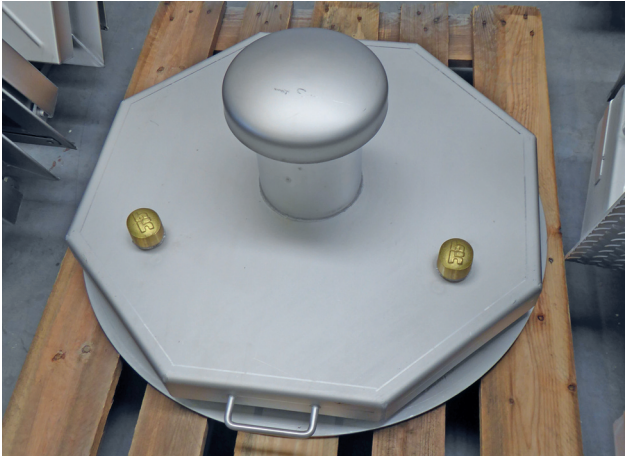


➤➤ Manhole cover SD4-RC3, attack-proof / security tested, weather-proof, round type



The figure shown here may contain special accessories

Options:

- 1.4404 (AISI 316 L) stainless steel
- Air vent DN 150, centrally welded
- Insulation of the cover, without FCKW
- Fixing material and foam rubber gasket 30/5
- Non-standard sizes
- Magnetic contact (cover open/shut indicator)
- Lacquer according to RAL colour chart
- Pollen filter or biofilter (for odour elimination) within the air vent
- Safety guard / antiffall guard

Manhole cover, secure to prevent forced access, weatherproof, round in shape, made of 1.4307 (AISI 304 L) stainless steel, load-bearing up to 5 t.

In accordance with DIN 1239:2018-4, security tested to resistance class RC3 (DIN EN 1627). According to requirements of DVGW W 1050 - Object protection for water supply structures. Suitable for use in Ex zone 1.

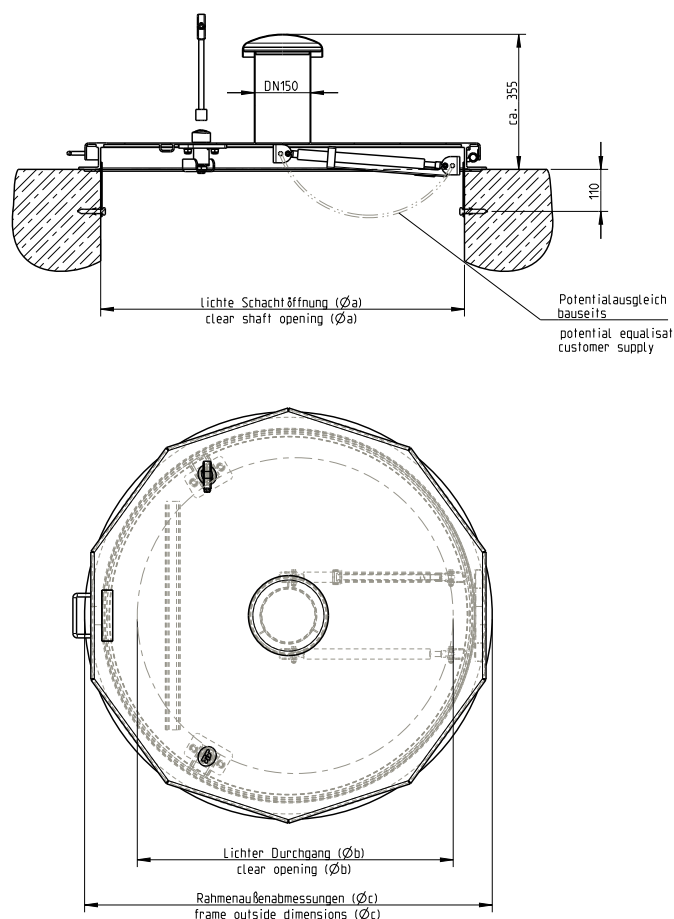
The cover consisting of a 4 mm thick stainless steel plate with a centrally raised profile, with stable concealed hinges, stainless steel gas assisted spring dampers, integrated arrestor which can only be undone by hand, with handle, with a replaceable circumferential, insect-proof and totally weather-proof rubber seal (frost-proof and weather-resistant) attached to the underside of the cover for low wear, including lock system with anti-drilling protection, as standard with hardened safety lock as recommended by criminal investigation departments and in accordance with the normative standards; the profile cylinder in accordance with DIN 18252 to be provided by the customer.

A connection for potential equalisation is provided.

The frame consists of an angle section, designed for bolted fixing with clips inside the manhole as lift locks.

Manhole cover and frame shielded arc-welded, acid-treated in a pickling bath and passivated.

Operating key included.



Model	Clear manhole opening $\varnothing a$	Order no.	Inside pass $\varnothing b$	Frame outside dimensions $\varnothing c$
Standard model	600	106/GRS-RC3 (1)	445	723
Standard model	800	108/GRS-RC3	645	915
Standard model	1000	101/GRS-RC3	845	1115
With air vent DN 150	600	106/GDRS-RC3 (1)	445	723
With air vent DN 150	800	108/GDRS-RC3	645	915
With air vent DN 150	1000	101/GDRS-RC3	845	1115
With insulation of cover, without FCKW	600	106/IRS-RC3 (1)	445	723
With insulation of cover, without FCKW	800	108/IRS-RC3	645	915
With insulation of cover, without FCKW	1000	101/IRS-RC3	845	1115
With air vent DN 150 and insulation of cover, without FCKW	600	106/IDRS-RC3 (1)	445	723
With air vent DN 150 and insulation of cover, without FCKW	800	108/IDRS-RC3	645	915
With air vent DN 150 and insulation of cover, without FCKW	1000	101/IDRS-RC3	845	1115

Ask for further dimensions. All measurements in mm.

(1) Note: According to German standards DGUV Provision 22 "Abwassertechnische Anlagen" and DVGW Worksheet W122 "Abschlussbauwerke für Brunnen der Wassergewinnung", the minimum clear width of entrance openings must be 0.8 m.

HUBER SE

Industriepark Erasbach A1 · D-92334 Berching
Phone: + 49 - 84 62 - 201 - 0 · Fax: + 49 - 84 62 - 201 - 810
info@huber.de · Internet: www.huber.de

Subject to technical modification
Drawing no. 51617212, 5.2022

Manhole cover SD4-RC3, attack-proof / security tested,
weather-proof, round type