

➤➤ Aeration/deaeration plant L251, max. throughput 250 m³/h

Natural aeration/deaeration plant with air connections on both sides to improve the hygiene in drinking water reservoirs. Completely made of 1.4307 stainless steel except the filter material, shielded arc welded, acid-treated in a pickling bath and passivated.

Comprising:

Item 1.0

Louvre, attack-proof, pre-finished, rigid design, with a stable frame, slats and 1 x 1 mm insect screen. The insect screen serves as first filter stage and prevents the ingress of small animals, insects and organic coarse material. Minimum size 500 x 300 mm

Dimensions: W x H = _____

Item 2.0

Air line in partial lengths according to the specific local conditions, with a connecting plate designed to suit the louvre (item 1.0) for air-tight bolted fixing to the interior structure wall, with pipe connection piece. Pipeline DN , longitudinal welded seam stainless steel pipe, bends as required, flexible joints, including fixing material, foam rubber gasket and mounting brackets.

Item 3.0

Cylindrical air filter unit L251, with connection pieces on both sides, suitable for the air line, with filter for suspended matter H13, with central 1/2" condensate drain and ball valve for connection to the customer's drain pipe.

The cylindrical air filter unit is designed for installation directly into the air line. The air filter unit houses a filter for suspended matter that achieves a separation degree of up to 99.99% in accordance with DIN EN 1822 for optimal supply air purification. The inspection opening in the casing ensures easy filter replacement.

A pressure transducer controls filter pollution. The pressure is measured upstream and downstream of the filter, the pressure differential is shown as a four-digit display value and additionally as an analogue value 0 10 V, 4 20 mA.

Standard measuring range: 0 1000 Pa, preset to 500 Pa

Supply voltage: 24 V AC/DC

Linearity: ± 1.5%

Temperature drift: 0.1% per K

Cable screw connection: M 12

Protection grade: IP 65

Relay output: potential-free changeover contact

Connection to a telecontrol plant or alarm system is possible.

A connection for power must be available.

Maximum throughput: 250 m³/h

Dimensions without connection piece:

Plant length = 500 mm

Outside flange diameter = 340 mm

Dimensions with connection piece:

Plant length = 825 mm, weight: 25 kg

Both connection pieces ≥ DN 130 are equipped with condensation drain and ball valve.

DN = _____

Outside diameter DA = _____

Item 4.0

Safety valve type 170-1 as an additional overpressure/underpressure protection for the structure in case of malfunctions. The reaction pressure is 1000 Pa.

Note:

Tank stability must be guaranteed under any usual and exceptional operating conditions. Only with sufficient dimensioning of the structure and all components the customer is permitted, on his own risk, to do without a safety valve after consultation of the stress analyst on the customer's own responsibility.

Item 5.0

Ready-to-operate installation, without brickwork, plastering works and chiselling work, without electrical work, without drain pipe, including instruction of the operating staff on site.

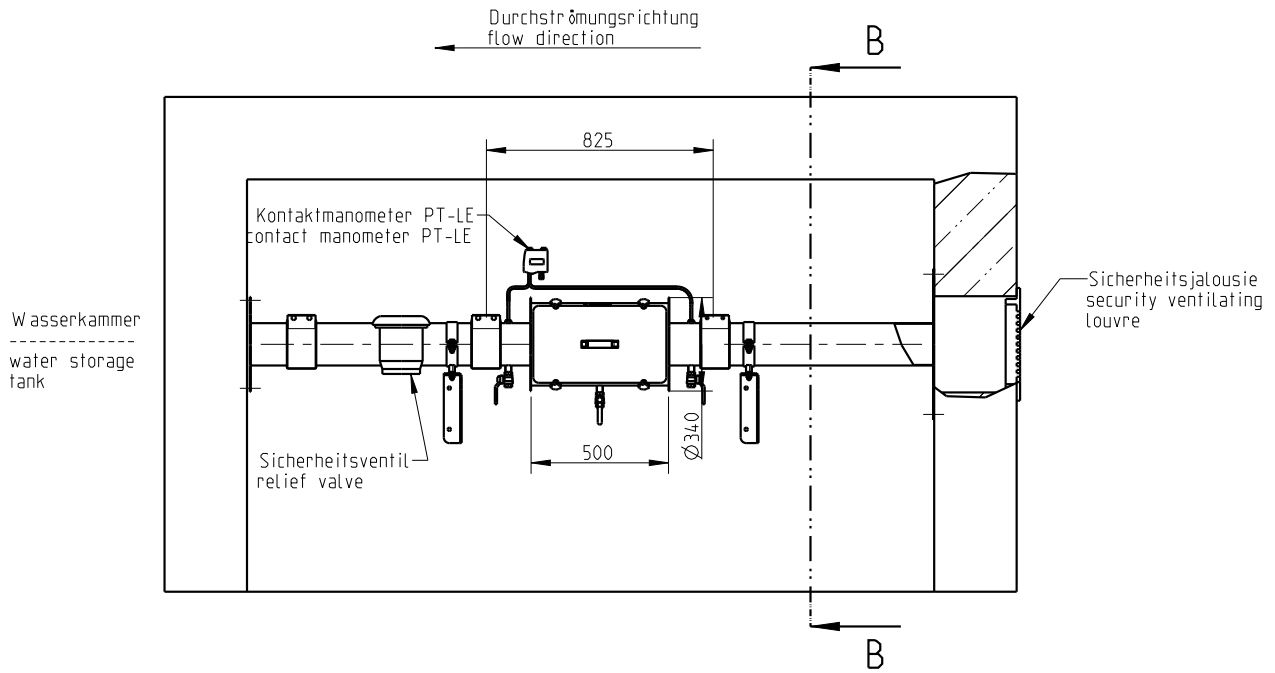
Optional equipment and spare parts

Item 6.0

Suspended material filter, filter class H13, separation efficiency 99.99% in compliance with DIN EN 1822, for type L251

Options:

- 1.4404 (AISI 316 L) stainless steel
- Radial pipe ventilator for installation in DN _____ air line, for forced ventilation
- With power supply unit for regulating the pressure transducer from 230 V to 24 V.



HUBER SE

Industriepark Erasbach A1 · D-92334 Berching
Phone: + 49 - 84 62 - 201 - 0 · Fax: + 49 - 84 62 - 201 - 810
info@huber.de · Internet: www.huber.de

Subject to technical modification
Drawing No. 190.045, 5.2022

Aeration/deaeration plant L251,
max. throughput 250 m³/h